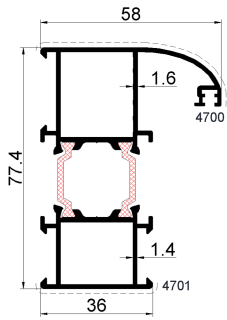
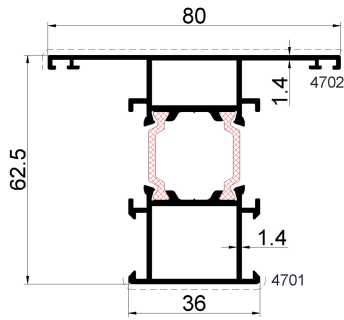


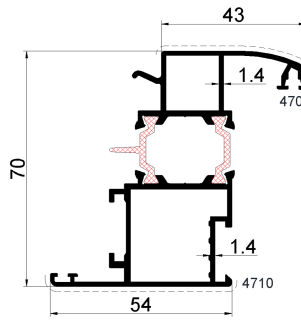
THERMO INSULATION OVAL SYSTEM



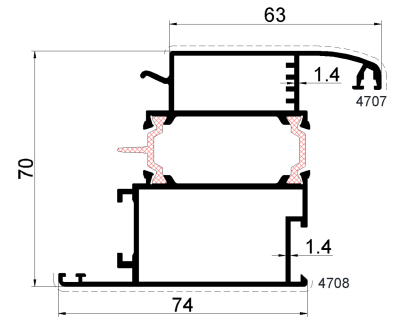
4700-4701
1.490 kg/mt



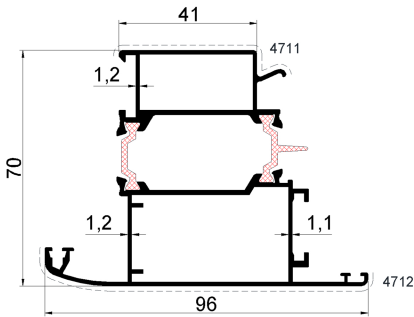
4702-4701
1.437 kg/mt



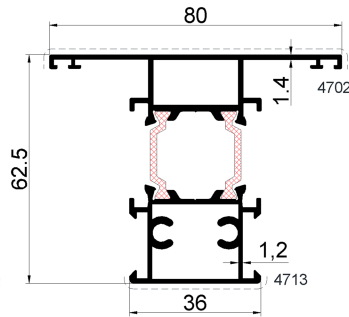
4709-4710
1.555 kg/mt



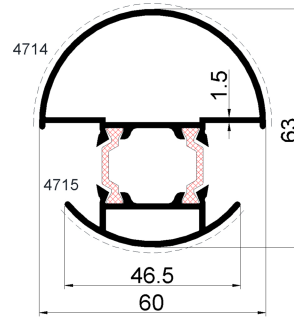
4707-4708
1.958 kg/mt



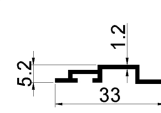
4711-4712
1.697 kg/mt



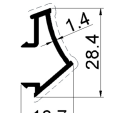
4702-4713
1.498 kg/mt



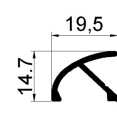
4714-4715
1.376 kg/mt



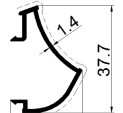
4716
0.152 kg/mt



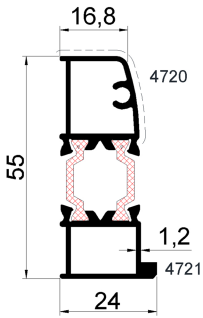
4717
0.224 kg/mt



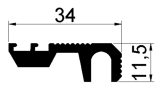
4718
0.195 kg/mt



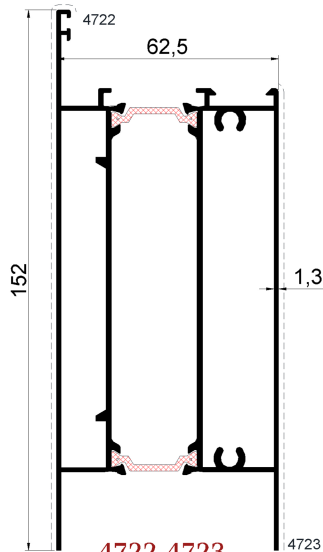
4719
0.310 kg/mt



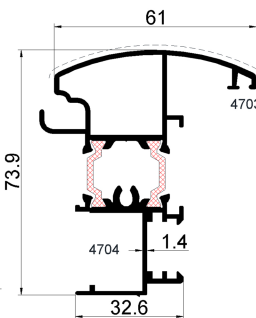
4720-4721
0.864 kg/mt



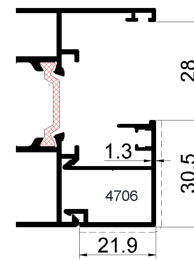
4724
0.463 kg/mt



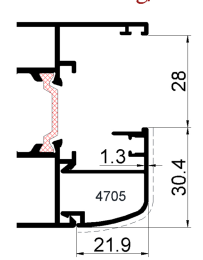
4722-4723
2.694 kg/mt



4703-4704
1.476 kg/mt



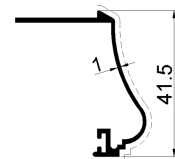
4706
0.346 kg/mt



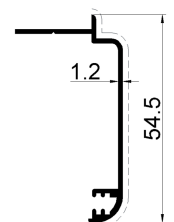
4705
0.330 kg/mt



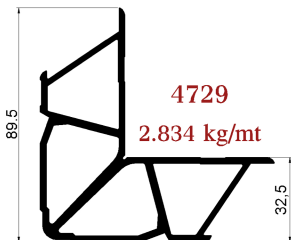
4727
2.033 kg/mt



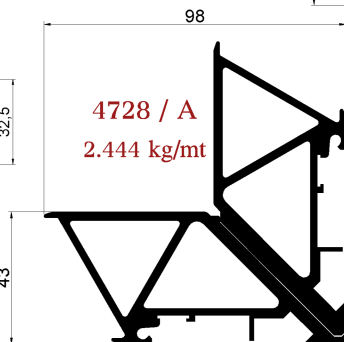
4725
0.307 kg/mt



4726
0.326 kg/mt

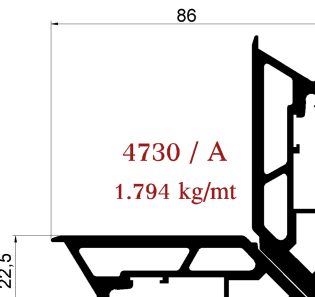


4729
2.834 kg/mt



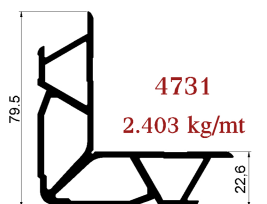
4728
2.224 kg/mt

4728 / A
2.444 kg/mt



4730
1.641 kg/mt

4730 / A
1.794 kg/mt



4731
2.403 kg/mt