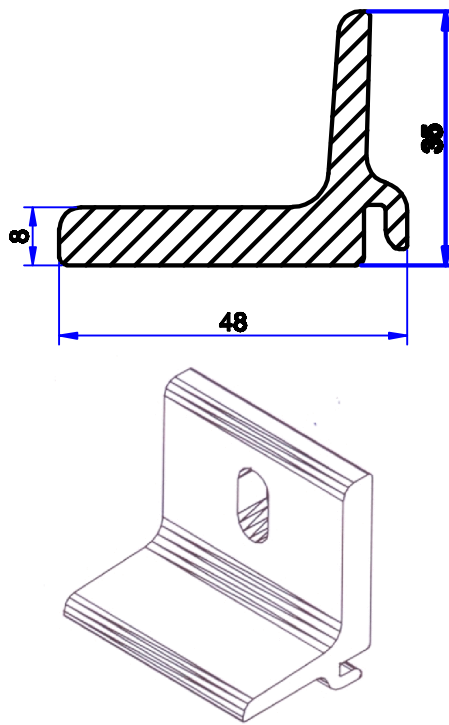
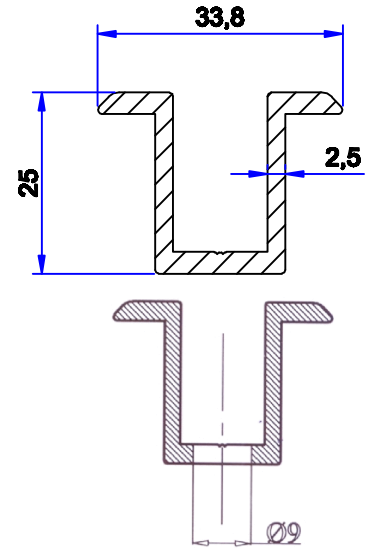


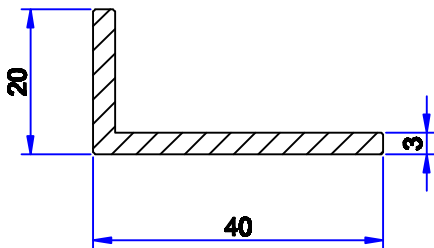
SES-01
0.538 kg/mt



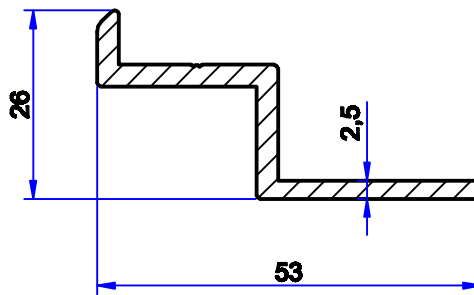
SES-02
1.355 kg/mt



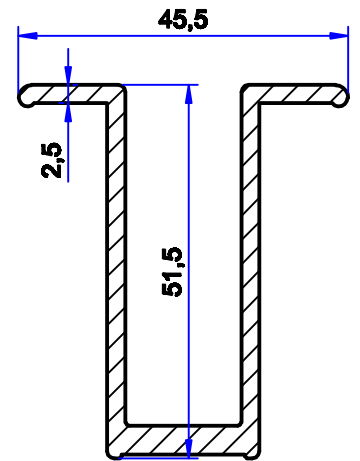
SES-03
0.558 kg/mt



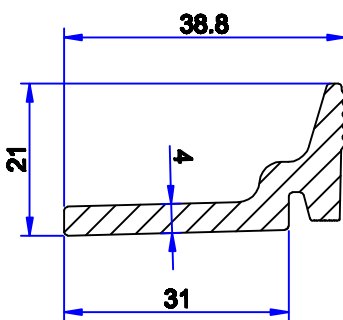
SES-04
0.463 kg/mt



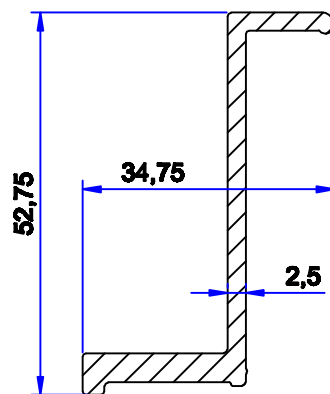
SES-05
0.572 kg/mt



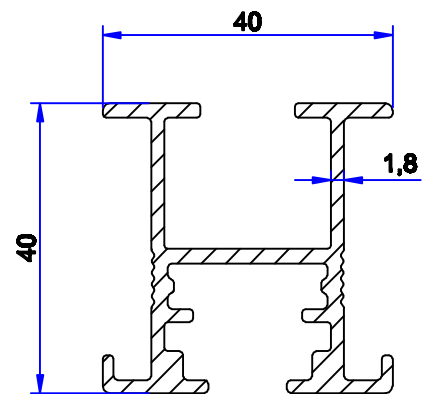
SES-06
1.033 kg/mt



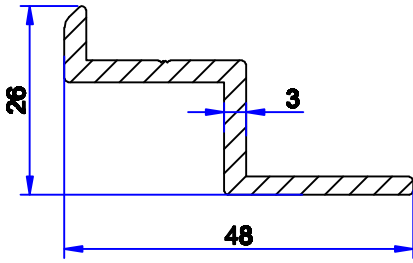
SES-07
0.636 kg/mt



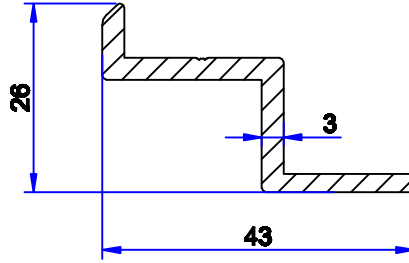
SES-08
0.662 kg/mt



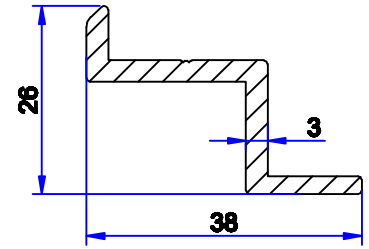
SES-09
0.902 kg/mt



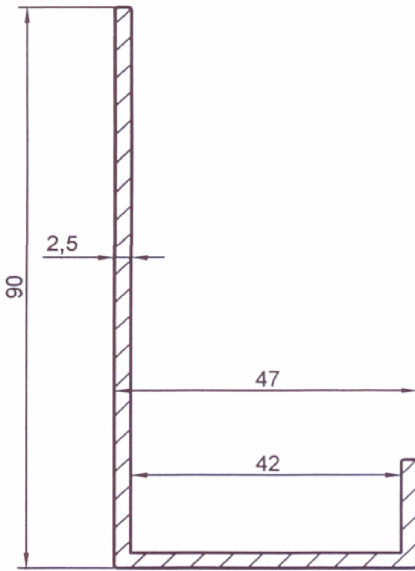
SES-10
0.538 kg/mt



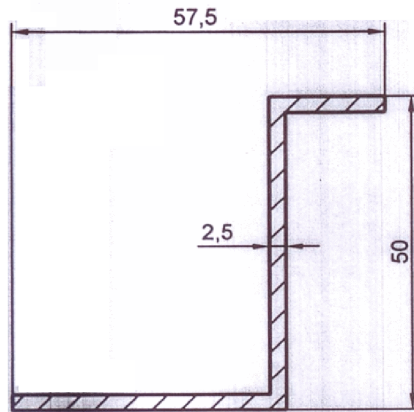
SES-12
0.504 kg/mt



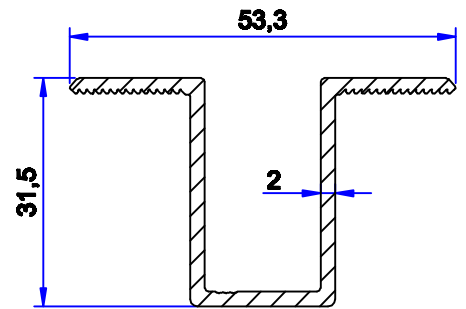
SES-13
0.470 kg/mt



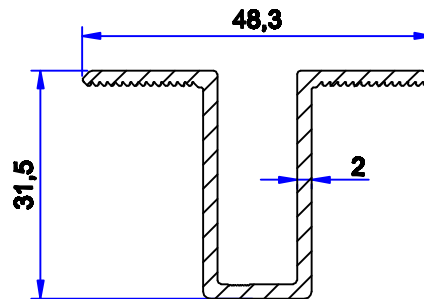
SES-14
1.012 kg/mt



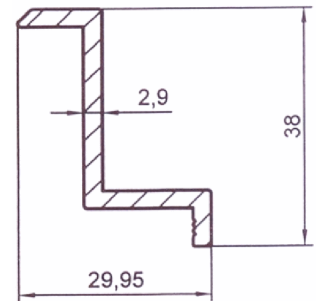
SES-15
0.711 kg/mt



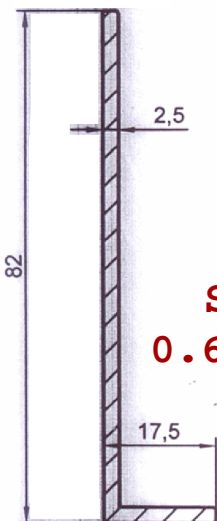
SES-16
0.600 kg/mt



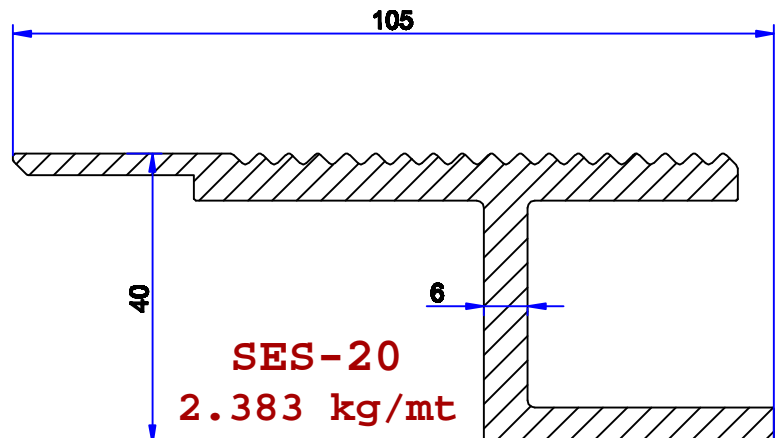
SES-17
0.573 kg/mt



SES-18
0.503 kg/mt



SES-19
0.656 kg/mt



SES-20
2.383 kg/mt